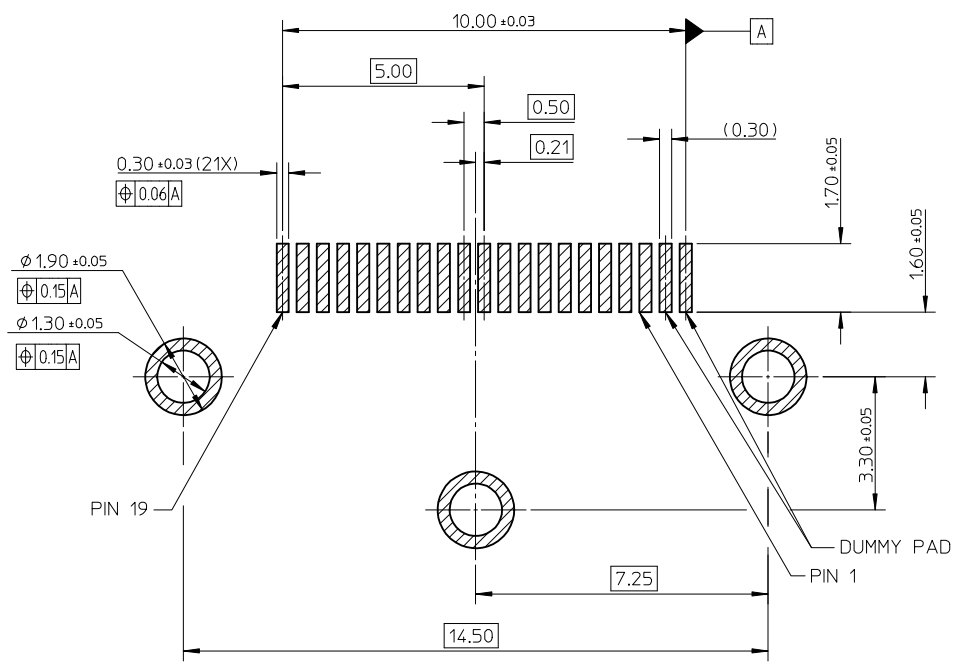
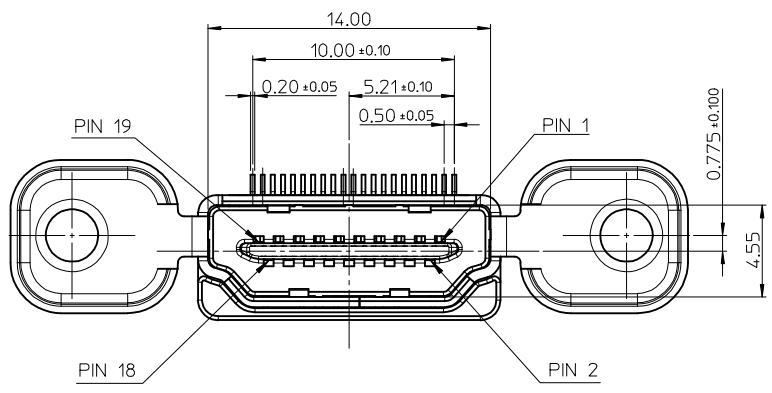


NOTES:

- MATERIAL:
 - HOUSING: GLASS FILLED HEAT RESISTED RESIN, UL94V-0.
 - TERMINAL: COPPER ALLOY.
 - SHELL: COPPER ALLOY.
 - CAP: GLASS FILLED HEAT RESISTED RESIN, UL94V-0.
- PLATING:
 - TERMINAL:
 - CONTACT AREA: GOLD FLASH PLATING,
 - SOLDER AREA: 1 MICROMETER MIN. MATTE TIN PLATING,
 - UNDERPLATE: 1 MICROMETER MIN. NICKEL PLATING OVERALL.
 - SHELL:
 - SOLDER AREA: 1 MICROMETER MIN. MATTE TIN PLATING,
 - UNDERPLATE: 1 MICROMETER MIN. NICKEL PLATING OVERALL.
- PRODUCT SPECIFICATION REFER TO PS-48307-901.
- PACKAGE REFER TO PK-48307-822.
- COPLANARITY OF SOLDER TAIL TO BE 0.1 MAX..
- THE PART CAN COMPLIANT TO ROHS DIRECTIVE 2002/95/EC AND ELV DIRECTIVE 2000/53/EC.

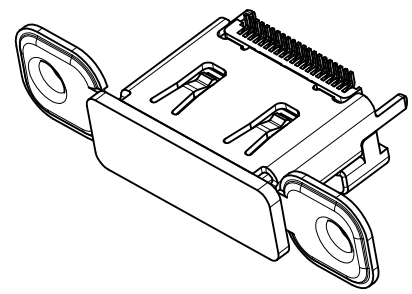
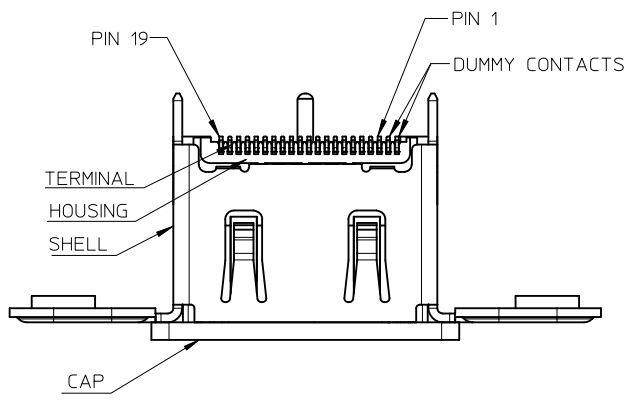
48307-8022	6T+STRUCTURE 2
48307-8012	LCP+STRUCTURE 1
PART NUMBER	CAP SOLUTION

REVISED EC NO: SH2009-0591 DRW:KWEI 2009/05/20 CHKD:RZHANG 2009/05/20 APPR:HWANG 2009/07/07	QUALITY SYMBOLS	GENERAL TOLERANCES (UNLESS SPECIFIED)	DIMENSION STYLE	SCALE	DESIGN UNITS	THIRD ANGLE PROJECTION
	▽=0 ∇=0	mm INCH 4 PLACES ± --- ± --- 3 PLACES ± --- ± --- 2 PLACES ± 0.25 ± --- 1 PLACE ± 0.25 ± --- ANGULAR ± ---°	MM ONLY	1:10	METRIC	
	DESCRIPTION	DRAFT WHERE APPLICABLE MUST REMAIN WITHIN DIMENSIONS	DRAWN BY	DATE	TITLE	SALES DRAWING VERTICAL HDMI RECEPT. WITHOUT SUPPORT MOLEX INCORPORATED
	REV		RZHANG	2008/08/12		
			CHECKED BY	DATE		
			RZHANG	2008/08/12		
			APPROVED BY	DATE		
			HWANG	2008/08/12		
			MATERIAL NO.	DOCUMENT NO.		
			48307-80*2			
			SIZE	THIS DRAWING CONTAINS INFORMATION THAT IS PROPRIETARY TO MOLEX INCORPORATED AND SHOULD NOT BE USED WITHOUT WRITTEN PERMISSION		
			A3			



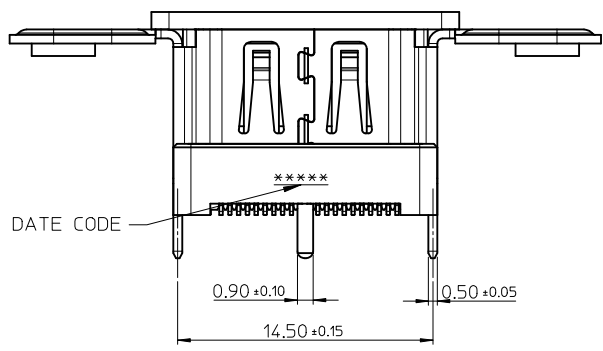
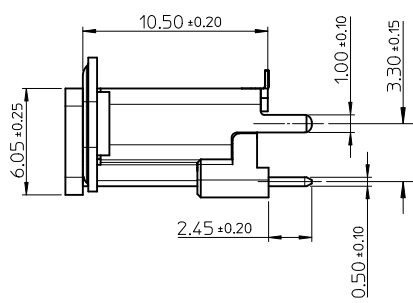
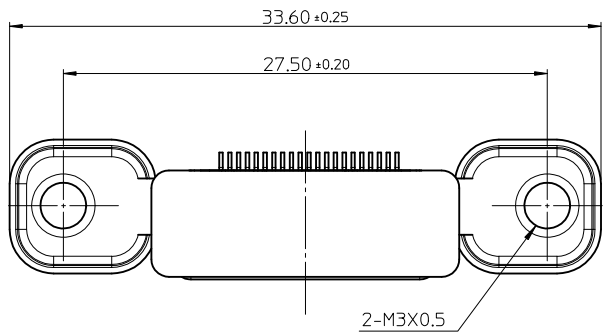
RECOMMENDED PCB LAYOUT
THICKNESS IS 1.60MM

REVISED EC NO: SH2009-0591 DRW:KWEI CHK:RZHANG APPR:HWANG	2009/05/20 2009/05/20 2009/07/07	DESCRIPTION REV	QUALITY SYMBOLS	GENERAL TOLERANCES (UNLESS SPECIFIED)	DIMENSION STYLE	SCALE	DESIGN UNITS	THIRD ANGLE PROJECTION
			▽=0 □=0	mm INCH 4 PLACES ± --- ± --- 3 PLACES ± --- ± --- 2 PLACES ± 0.25 ± --- 1 PLACE ± 0.25 ± --- ANGULAR ± ---°	MM ONLY	4:1	METRIC	
				DRAFT WHERE APPLICABLE MUST REMAIN WITHIN DIMENSIONS	DRAWN BY: RZHANG DATE: 2008/08/12 CHECKED BY: RZHANG DATE: 2008/08/12 APPROVED BY: HWANG DATE: 2008/08/12	TITLE	SALES DRAWING VERTICAL HDMI RECEPT. WITHOUT SUPPORT	
					MATERIAL NO. SEE SHEET 1 SIZE: A3	MOLEX INCORPORATED DOCUMENT NO. SD-48307-822 SHEET NO. 2 OF 2		



NOTES:

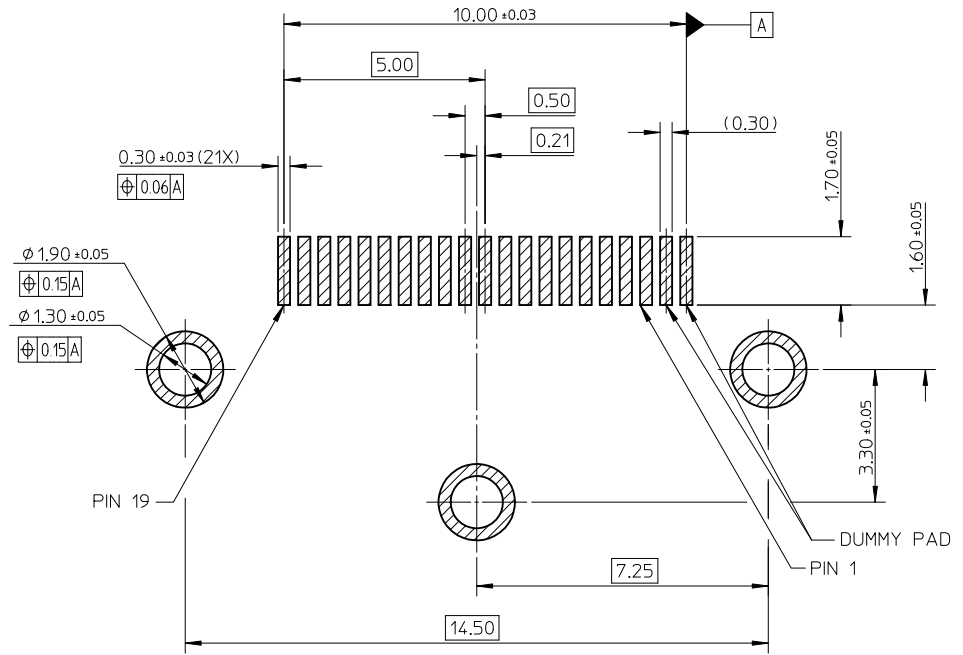
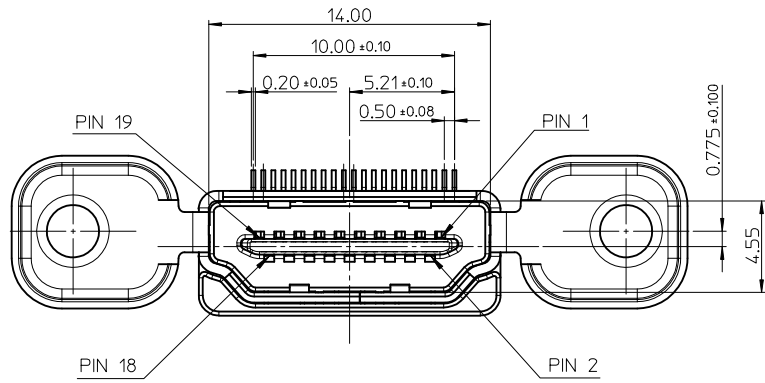
1. MATERIAL:
 HOUSING: GLASS FILLED HEAT RESISTED RESIN, UL94V-0.
 TERMINAL: COPPER ALLOY.
 SHELL: COPPER ALLOY.
 CAP: GLASS FILLED HEAT RESISTED RESIN, UL94V-0.
2. PLATING:
 TERMINAL:
 CONTACT AREA: GOLD FLASH PLATING,
 SOLDER AREA: 1 MICROMETER MIN. MATTE TIN PLATING,
 UNDERPLATE: 1 MICROMETER MIN. NICKEL PLATING OVERALL.
 SHELL:
 SOLDER AREA: 1 MICROMETER MIN. MATTE TIN PLATING,
 UNDERPLATE: 1 MICROMETER MIN. NICKEL PLATING OVERALL.
3. PRODUCT SPECIFICATION REFER TO PS-48307-901.
4. PACKAGE REFER TO PK-48307-822.
5. COPLANARITY OF SOLDER TAIL TO BE 0.1 MAX..
6. THE PART CAN COMPLIANT TO ROHS DIRECTIVE 2002/95/EC AND ELV DIRECTIVE 2000/53/EC.



48307-8022	6T+STRUCTURE 2
48307-8012	LCP+STRUCTURE 1
PART NUMBER	CAP SOLUTION

REVISED EC NO: SH2010-0272 DRWN: CWEL CHKD: RZHANG APPR: XJ.SONG	2010/01/19 2010/01/20 2010/01/25	DESCRIPTION REV	QUALITY SYMBOLS	GENERAL TOLERANCES (UNLESS SPECIFIED) 4 PLACES ± --- ± --- 3 PLACES ± --- ± --- 2 PLACES ± --- ± --- 1 PLACE ± --- ± --- ANGULAR ± ---° DRAFT WHERE APPLICABLE MUST REMAIN WITHIN DIMENSIONS	DIMENSION STYLE	SCALE	DESIGN UNITS	THIRD ANGLE PROJECTION
					MM ONLY	3.5:1	METRIC	
				DRAWN BY	DATE	TITLE		
				CHECKED BY	DATE	SALES DRAWING VERTICAL HDMI RECEPT. WITHOUT SUPPORT		
				APPROVED BY	DATE	MOLEX MOLEX INCORPORATED		
				MATERIAL NO.	2008/08/12	DOCUMENT NO.	SD-48307-822	
				SIZE	48307-80*2	SHEET NO. 1 OF 2		
						THIS DRAWING CONTAINS INFORMATION THAT IS PROPRIETARY TO MOLEX INCORPORATED AND SHOULD NOT BE USED WITHOUT WRITTEN PERMISSION		

10 9 8 7 6 5 4 3 2 1



RECOMMENDED PCB LAYOUT
THICKNESS IS 1.60MM

REVISED EC NO: SH2010-0272 DRW: KWWEI CHK: RZHANG APPR: XJSONG	DESCRIPTION REV	QUALITY SYMBOLS ▽=0 ∇=0	GENERAL TOLERANCES (UNLESS SPECIFIED)		DIMENSION STYLE MM ONLY	SCALE 4:1	DESIGN UNITS METRIC	THIRD ANGLE PROJECTION			
			mm	INCH	DRAWN BY RZHANG	DATE 2008/08/12	TITLE SALES DRAWING VERTICAL HDMI RECEPT. WITHOUT SUPPORT				
			4 PLACES	± ---	± ---	CHECKED BY RZHANG	DATE 2008/08/12	MOLEX INCORPORATED			
			3 PLACES	± ---	± ---	APPROVED BY HWWANG	DATE 2008/08/12	DOCUMENT NO. SD-48307-822			
			2 PLACES	± ---	± ---	MATERIAL NO. 9999999999		SHEET NO. 2 OF 2			
			1 PLACE	± ---	± ---	THIS DRAWING CONTAINS INFORMATION THAT IS PROPRIETARY TO MOLEX INCORPORATED AND SHOULD NOT BE USED WITHOUT WRITTEN PERMISSION					
			ANGULAR ± --- °								
			DRAFT WHERE APPLICABLE MUST REMAIN WITHIN DIMENSIONS								

9 8 7 6 5 4 3 2 1